

# Flexible feeding components

aflex



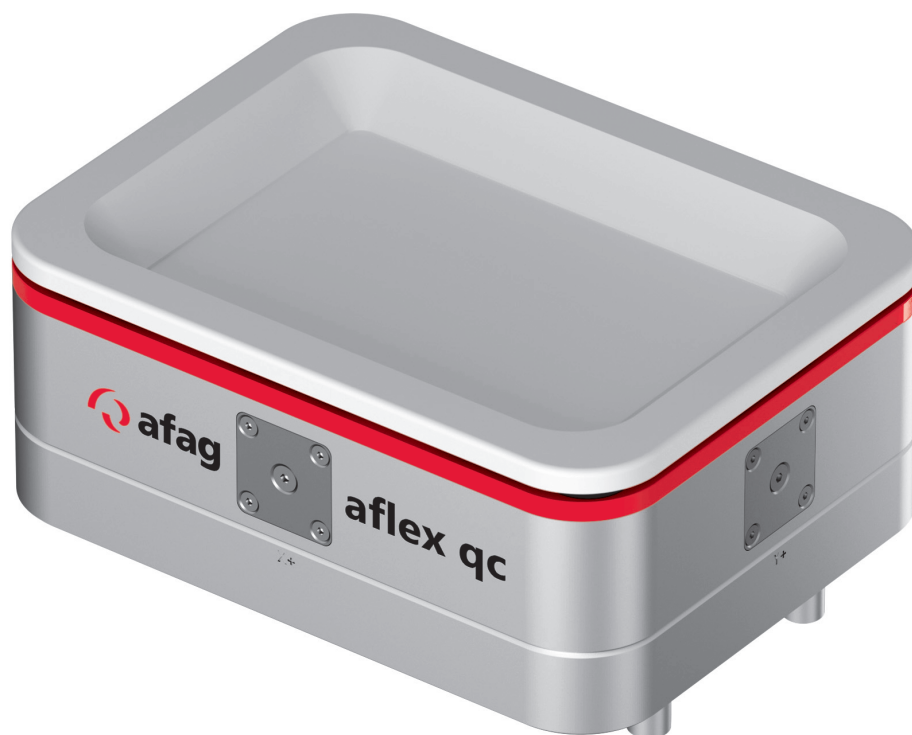
# Table of contents

Flexible feeding components	
aflex qc	151
aflex 400 lv	155



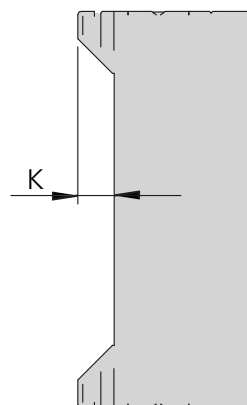
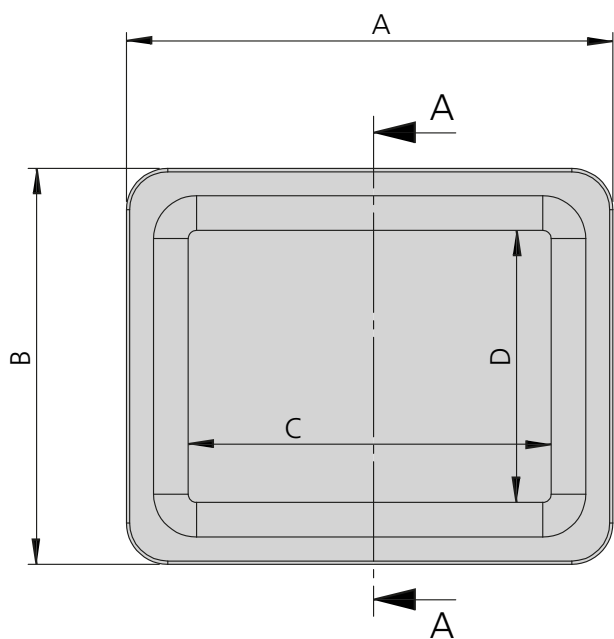
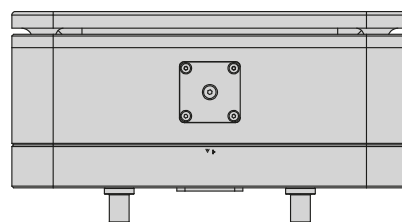
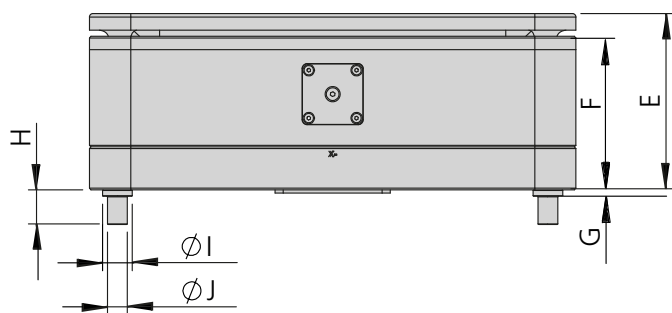
# Flexible feeding components

aflex 150 qc & aflex 200 qc



- Diverse application possibilities and simplified installation and commissioning
- Short retrofitting times thanks to toolless quick-change system of the conveyor sheet
- Countless integration possibilities thanks to modular concept and conventional BUS interfaces

Type	*aflex 150 qc	*aflex 200 qc
A	210 mm	295 mm
B	160 mm	240 mm
C	150 mm	220 mm
D	100 mm	165 mm
E	84 mm	107 mm
F	74 mm	93 mm
G	4 mm	4 mm
H	21 mm	21 mm
ØI	18 mm	18 mm
ØJ	12 mm	12 mm
K	17 mm	22 mm



A-A (1:5)



Type	*aflex 150 qc basis	*aflex 150 qc basis	*aflex 150 qc light	*aflex 150 qc light
<b>Order number</b>	<b>50473402</b>	<b>50473403</b>	<b>50521922</b>	<b>50473404</b>
Reference value max. size of parts	20 mm	20 mm	20 mm	20 mm
Reference value max. weight of parts	15 g	15 g	15 g	15 g
Conveying directions**	x, y, z	x, y, z	z	z
Colour of background lighting	red	white	red	white
Control voltage	24 V	24 V	24 V	24 V
Total current [max]	6 A	6 A	6 A	6 A
Relative activation duration of the actuators	< 15 %	< 15 %	< 15 %	< 15 %
Operating temperature	0...45°C	0...45°C	0...45°C	0...45°C
Net weight	4 kg	4 kg	4 kg	4 kg
Protection type in closed condition	IP51	IP51	IP51	IP51
Supply line	24xAWG22	24xAWG22	24xAWG22	24xAWG22
Diameter of supply line	11.6 mm	11.6 mm	11.6 mm	11.6 mm
Bending radius of moved supply line	15 x line-Ø	15 x line-Ø	15 x line-Ø	15 x line-Ø
Bending radius of fixed supply line	4 x line-Ø	4 x line-Ø	4 x line-Ø	4 x line-Ø
Vibrating force compensation	no	no	no	no

Type	*aflex 200 qc basis	*aflex 200 qc basis	*aflex 200 qc light	*aflex 200 qc light
<b>Order number</b>	<b>50473404</b>	<b>50473405</b>	<b>50521920</b>	<b>50521921</b>
Reference value max. size of parts	30 mm	30 mm	30 mm	30 mm
Reference value max. weight of parts	50 g	50 g	50 g	50 g
Conveying directions**	x, y, z	x, y, z	z	z
Colour of background lighting	red	white	red	white
Control voltage	24 V	24 V	24 V	24 V
Total current [max]	10 A	10 A	10 A	10 A
Relative activation duration of the actuators	< 15 %	< 15 %	< 15 %	< 15 %
Operating temperature	0...45°C	0...45°C	0...45°C	0...45°C
Net weight	10,2 kg	10,2 kg	10,2 kg	10,2 kg
Protection type in closed condition	IP51	IP51	IP51	IP51
Supply line	24xAWG22	24xAWG22	24xAWG22	24xAWG22
Diameter of supply line	11.6 mm	11.6 mm	11.6 mm	11.6 mm
Bending radius of moved supply line	15 x line-Ø	15 x line-Ø	15 x line-Ø	15 x line-Ø
Bending radius of fixed supply line	4 x line-Ø	4 x line-Ø	4 x line-Ø	4 x line-Ø
Vibrating force compensation	no	no	no	no

\* Dimensioning of the base plate: Always ensure that the base plate on which the aflex qc is mounted has sufficient dead weight to ensure full function and performance. Exact details can be found in the operating manual.

\*\* referring to cartesian coordinate system



# Flexible feeding components

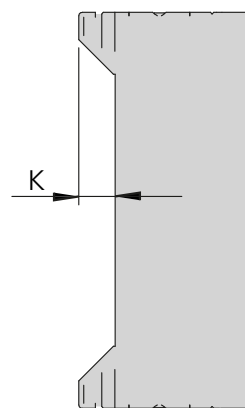
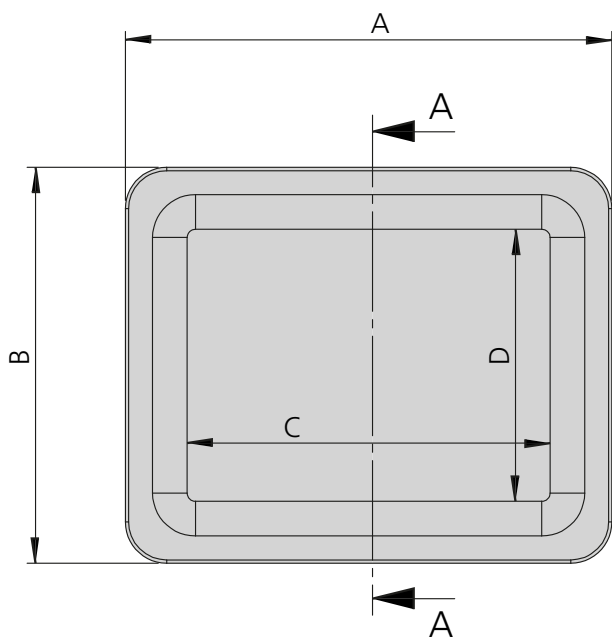
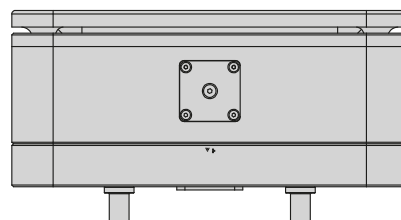
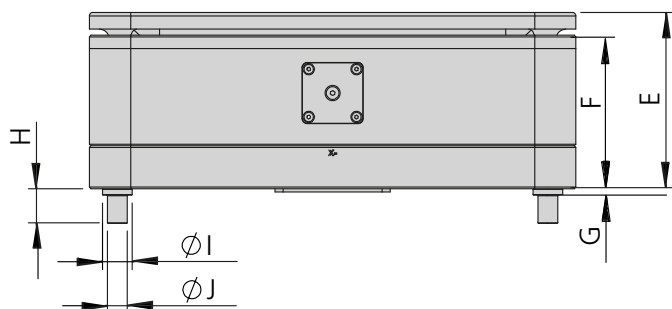
## aflex 400 lv



- High process reliability and short cycle times thanks to patented active vibration force compensation
- Short retrofitting times thanks to toolless quick-change system of the conveyor sheet
- Countless integration possibilities thanks to modular concept and conventional BUS interfaces



Type	*aflex 400 lv
A	450 mm
B	370 mm
C	330 mm
D	250 mm
E	164 mm
F	143 mm
G	13 mm
H	28 mm
ØI	32 mm
ØJ	10 mm
K	38 mm



A-A (1:5)



Type	*aflex 400 lv
<b>Order number</b>	<b>50540944</b>
Reference value max. size of parts	100 mm
Reference value max. weight of parts	150 g
Conveying directions**	z
Colour of background lighting	white
Control voltage	24 V
Total current [max]	15 A
Relative activation duration of the actuators	< 15 %
Operating temperature	0...45°C
Net weight	34 kg
Protection type in closed condition	IP51
Supply line	24xAWG22
Diameter of supply line	11.6 mm
Bending radius of moved supply line	15 x line-Ø
Bending radius of fixed supply line	4 x line-Ø
Vibrating force compensation	yes

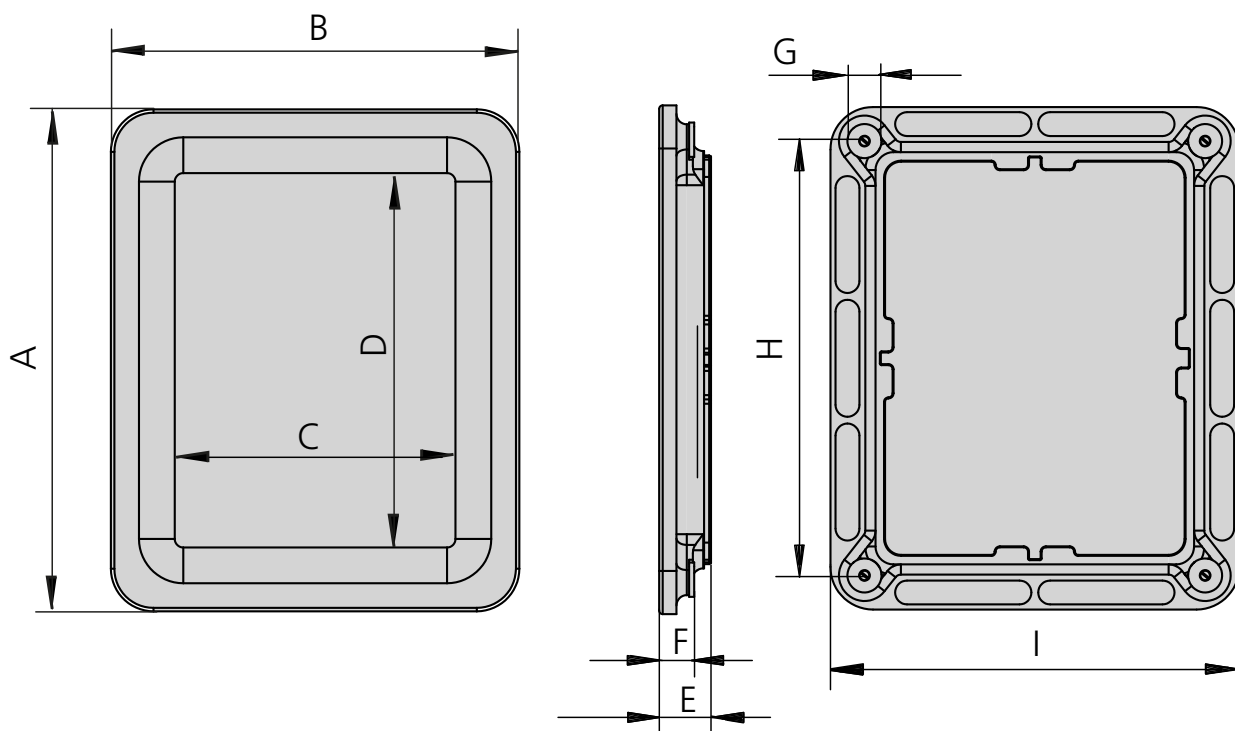
\* Dimensioning of the base plate: Always ensure that the base plate on which the aflex qc is mounted has sufficient dead weight to ensure full function and performance. Exact details can be found in the operating manual.

\*\* referring to cartesian coordinate system

# Dimensions & dimension drawings

## aflex conveyor plates

Type	aflex 150 qc conveyor plate POM	aflex 200 qc conveyor plate POM	aflex 400 lv conveyor plate POM
A	210 mm	295 mm	450 mm
B	160 mm	240 mm	370 mm
C	100 mm	165 mm	250 mm
D	150 mm	220 mm	330 mm
E	21 mm	30 mm	48 mm
F	13.2 mm	20.3 mm	40 mm
Ø G	16 mm	20 mm	32 mm
H	176 mm	255 mm	360 mm
I	126 mm	200 mm	280 mm



# Technical data



## aflex conveyor plates

Type	*aflex 150 qc conveyor plate POM	*aflex 150 qc conveyor plate POM
<b>Order number</b>	<b>50473406</b>	<b>50473407</b>
Material POM	white	black
Net weight	253 g	253 g

5

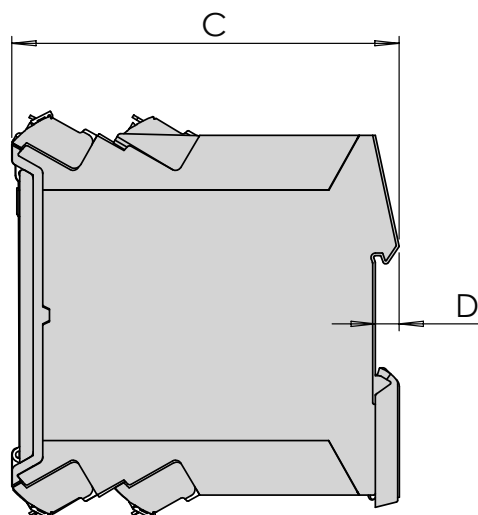
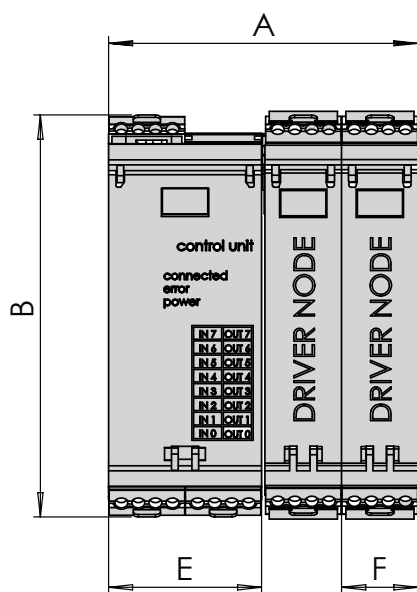
Type	*aflex 200 qc conveyor plate POM	*aflex 200 qc conveyor plate POM
<b>Order number</b>	<b>50473410</b>	<b>50473411</b>
Material POM	white	black
Net weight	854 g	854 g

Type	*aflex 400 lv conveyor plate POM	*aflex 400 lv conveyor plate POM
<b>Order number</b>	<b>50540946</b>	<b>50552107</b>
Material POM	white	black
Net weight	2400 g	2400 g

\* Dimensioning of the base plate: Always ensure that the base plate on which the aflex qc is mounted has sufficient dead weight to ensure full function and performance. Exact details can be found in the operating manual.

\*\* referring to cartesian coordinate system

Type	aflex controller
A	91 mm
B	120 mm
C	114 mm
D	7 mm
E	45 mm
F	23 mm



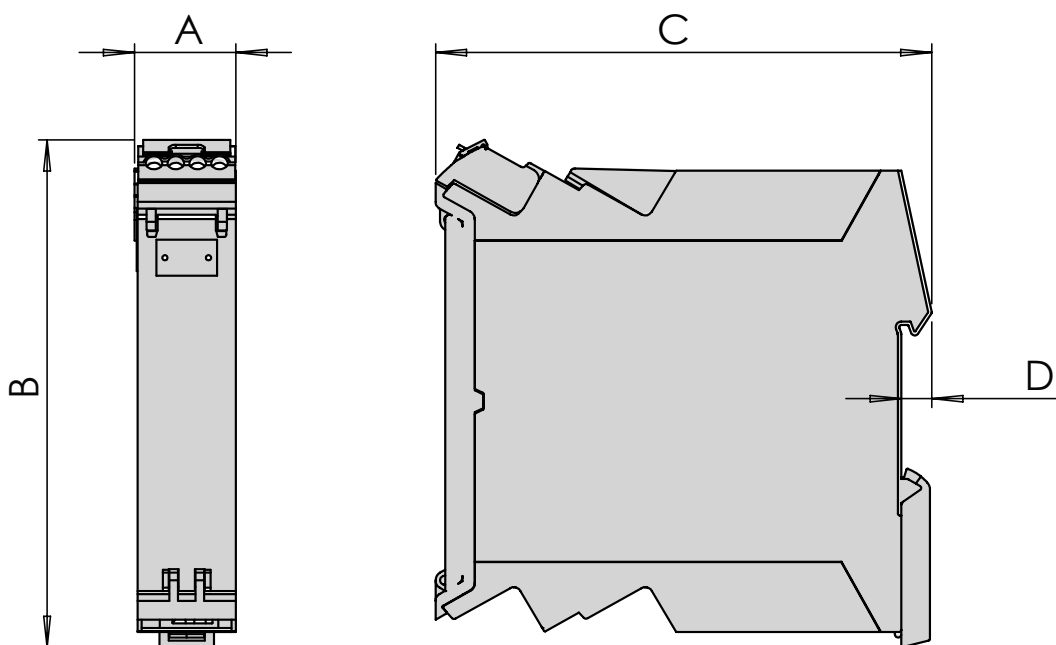


Type	aflex controller with 2x T4X	aflex controller
<b>Order number</b>	<b>50473414</b>	<b>50518486</b>
Rated voltage DC smoothed (min./type/max.)	23.0 VDC / 24.0 VDC / 25.0 VDC	23.0 VDC / 24.0 VDC / 25.0 VDC
Input current (min./type/max.)	0.050 A / 0.080 A / 0.120 A	0.050 A / 0.080 A / 0.120 A
Reverse polarity protection voltage supply	yes	yes
Operation/storage temperature	+0 - +40 °C / +-0 - + 85.+°C	+0 - +40 °C / +-0 - + 85.+°C
Relative humidity	max. 40% without condensation	max. 40% without condensation
Protection type	IP 30	IP 30
Signal voltage „1“ digital outputs (min./type/max.)	VCC – 1.0 V/VCC/VCC + 0.5 V	VCC – 1.0 V/VCC/VCC + 0.5 V
Signal voltage „0“ digital outputs (min./type/max.)	0 V / 0.002 V / 1 V	0 V / 0.002 V / 1 V
Output current digital outputs (min./type/max.)	... / ... / 4	... / ... / 4
Input voltage digital inputs (min./typr/max.)	20.0 V / 24.0 V / 30.0 V	20.0 V / 24.0 V / 30.0 V
Input current digital inputs (min./type/max.)	10 mA / 10.1 mA / 10.5 mA	10 mA / 10.1 mA / 10.5 mA
Reverse polarity protection outputs	yes (digital inputs/outputs)	yes (digital inputs/outputs)
Output voltage power output (min./type/max.)	VCC - 0.5 V / VCC / VCC + 0.5 V (PWM power output)	VCC - 0.5 V / VCC / VCC + 0.5 V (PWM power output)
Pulse width output (min./type/max.)	0% - 100% (power output)	0% - 100% (power output)
Frequency power output (min./type/max.)	39.7 kHz / 40 kHz / 40.3 kHz (power output)	39.7 kHz / 40 kHz / 40.3 kHz (power output)
Output current power output (min./type./max.)	... / ... / 4 A (power output)	... / ... / 4 A (power output)
Reverse polarity protection power output	no	no

Type	aflex driver unit T4X
<b>Order number</b>	<b>50518489</b>
Rated voltage DC smoothed (min./type/max.)	23.0 VDC / 24.0 VDC / 25.0 VDC
Input current (min./type/max.)	0.050 A / 0.080 A / 0.120 A
Reverse polarity protection voltage supply	yes
Operation/storage temperature	+0 - +40 °C / +-0 - + 85.+°C
Relative humidity	max. 40% without condensation
Protection type	IP 30
Reverse polarity protection outputs	no (power outputs)
Output voltage power output (min./type/max.)	VCC – 0.5 V / VCC / VCC + 0.5 V
Pulse width output (min./type/max.)	0% - 100% (power output)
Frequency power output (min./type/max.)	39.7 kHz / 40 kHz / 40.3 kHz (power output)
Output current power output (min./type./max.)	... / ... / 4 A (power output)
Reverse polarity protection power output	no

## Dimensions & dimension drawings aflex fieldbus interfaces

Type	aflex fieldbus interfaces
A	23 mm
B	120 mm
C	114 mm
D	7 mm





Type	aflex fieldbus interface PROFIBUS	aflex fieldbus interface ETHERCAT
<b>Order number</b>	<b>50441875</b>	<b>50473416</b>
Rated voltage DC smoothed (min./type/max.)	23.0 VDC / 24.0 VDC / 25.0 VDC	23.0 VDC / 24.0 VDC / 25.0 VDC
Input current (min./type/max.)	0.050 A / 0.080 A / 0.120 A	0.050 A / 0.080 A / 0.120 A
Reverse polarity protection voltage supply	yes	yes
Operation/storage temperature	+ -0 - +40 °C / + -0 - + 85.+°C	+ -0 - +40 °C / + -0 - + 85.+°C
Relative humidity	max. 40% without condensation	max. 40% without condensation
Protection type	IP 30	IP 30

Type	aflex fieldbus interface ETHERNET IP	aflex fieldbus interface PROFINET
<b>Order number</b>	<b>50473417</b>	<b>50473418</b>
Rated voltage DC smoothed (min./type/max.)	23.0 VDC / 24.0 VDC / 25.0 VDC	23.0 VDC / 24.0 VDC / 25.0 VDC
Input current (min./type/max.)	0.050 A / 0.080 A / 0.120 A	0.050 A / 0.080 A / 0.120 A
Reverse polarity protection voltage supply	yes	yes
Operation/storage temperature	+ -0 - +40 °C / + -0 - + 85.+°C	+ -0 - +40 °C / + -0 - + 85.+°C
Relative humidity	max. 40% without condensation	max. 40% without condensation
Protection type	IP 30	IP 30